



**THANOS<sup>®</sup>**

Building Aerial Solutions for Terrestrial Problems

We are a drone technology company  
building aerial solutions for terrestrial  
problems

# About Us

<b>Founded</b>	24 <sup>th</sup> May 2016
<b>Type of Company</b>	Private Limited
<b>Expertise</b>	UAV Design, UAV Manufacturing and UAV based Services
<b>Key Management Personnel</b>	Pradeep Palelli (CEO) Prathyush Akepati (CTO)
<b>Few Key Customers / Partners</b>	Airbus, IIIT Hyderabad, IIT Hyderabad, TCS, Bayer, Syngenta, Adama, ANGRAU, PJTSAU and more

# Achievements / Awards

-  Awarded First Prize at the Inaugural Drone Olympics Challenge conducted by Ministry of Defence in Bengaluru in February 2019
-  Awarded with AlphaDrone Development Kit and invited to participate in Global UAV Challenge by world's largest defense company Lockheed Martin for demonstration of our Payload Delivery UAV Platform at Aero India Show 2019
-  One of the 10 startups chosen by Telangana Govt. for Govt. Mentorship and Pilot Projects
-  Designated as one of top 10 Hot Startups of Hyderabad at HYSEA Awards 2018
-  Achieved First position at National Level Innovation competition held at NIRD, Hyderabad in July 2017
-  Achieved Second position at IEEE International Makers Fair event held at Hyderabad in September 2017
-  Achieved Second position at Business Pitching competition at SMC Select event held at ISB-Hyderabad in February 2018 by IIT Kanpur Alumni
-  Achieved Second position at Crowdfunding Product Hunt competition CATAPOOOLT Product Czars held at Hyderabad in April 2018

# Our Capabilities

UAV Design

UAV  
Manufacturing

UAV Testing

UAV based  
Services

UAV Repairs

Battery Design &  
Manufacturing

# Drones in Agriculture

```
graph TD; A[Drones in Agriculture] --> B[Intelligence]; A --> C[Automation];
```

**Intelligence**

**Automation**

# Products

# Agricultural Spraying Drone Platform



**10 Litre Capacity  
(SYENA-H10)**

**Made in India**

**In-House built Lithium-Ion  
batteries**

**Autonomous flights**

**Industry leading 20  
minutes flight time**

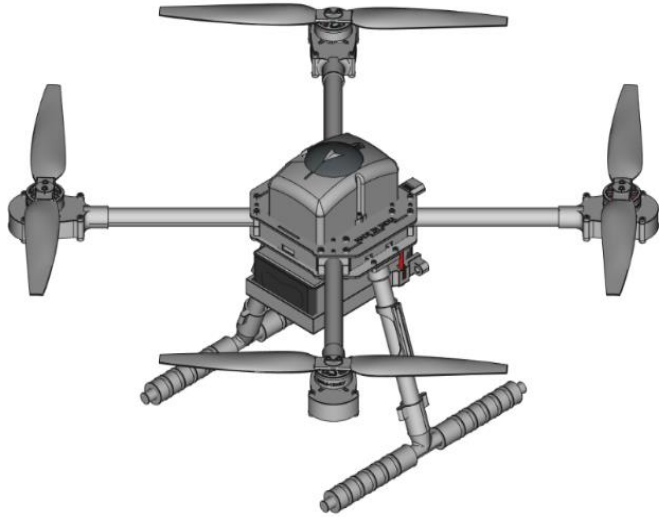


**5 Litre Capacity  
(SYENA-Q5)**



# Products – Mapping, Inspection Platforms

## Surveillance/Inspection/Mapping Drones



**2 Kg Class**

**Flight Time > 20 Mins**



**8.5 Kg Class**

**Flight Time > 60 Mins**



**4.5 Kg Class**

**Flight Time > 30 Mins**

# Services

# Agricultural Spraying Service – Status Quo

3500+ Acres  
sprayed

4 Crops

30+ Chemicals  
Tested

50+ Days of R&D  
Trials

# Drone Pilot Training / Certificate

Official Drone Partner  
of Flytech Aviation  
Academy

> 135 Drone Pilots  
Certified so far

Since January 2021

\* Flytech Aviation Academy is one of the very few DGCA Authorized Drone Pilot Training Schools in India.

# Engagement Model

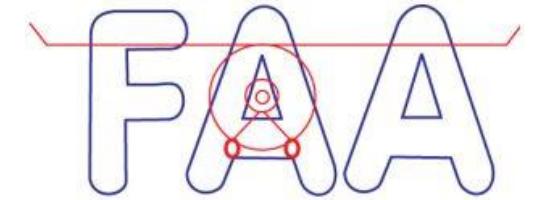
R&D Trials

Commercial Pilot

Supply of Drones  
with  
Warranty/AMC

Training / Field Ops  
Launch

# Partners/Associations

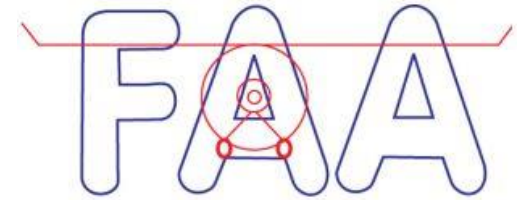


Flytech Aviation Academy



\*All logos above are Trademarks/Copyrights of respective organizations.

# Partners/Associations



Flytech Aviation Academy



\*All logos above are Trademarks/Copyrights of respective organizations.

# Partners/Associations

## Memorandum of Understanding

Between

National Skill Training Institute, Ramanthapur, Hyderabad

And

Thanos Technologies Private Limited

*Under "Dual System of Training" in*

**REMOTELY PILOTED AIRCRAFT (RPA)/DRONE PILOT**



**Interaction with PJTSAU Agri Polytechnic Students**

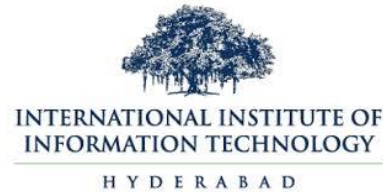


# Customers

**AIRBUS**



**syngenta**



And **300+** farmers so far

\*All logos above are Trademarks/Copyrights of respective organizations.

## Pradeep Palelli

- Mobile: +91-9573666587
- Email: [pradeep@thanos.in](mailto:pradeep@thanos.in)